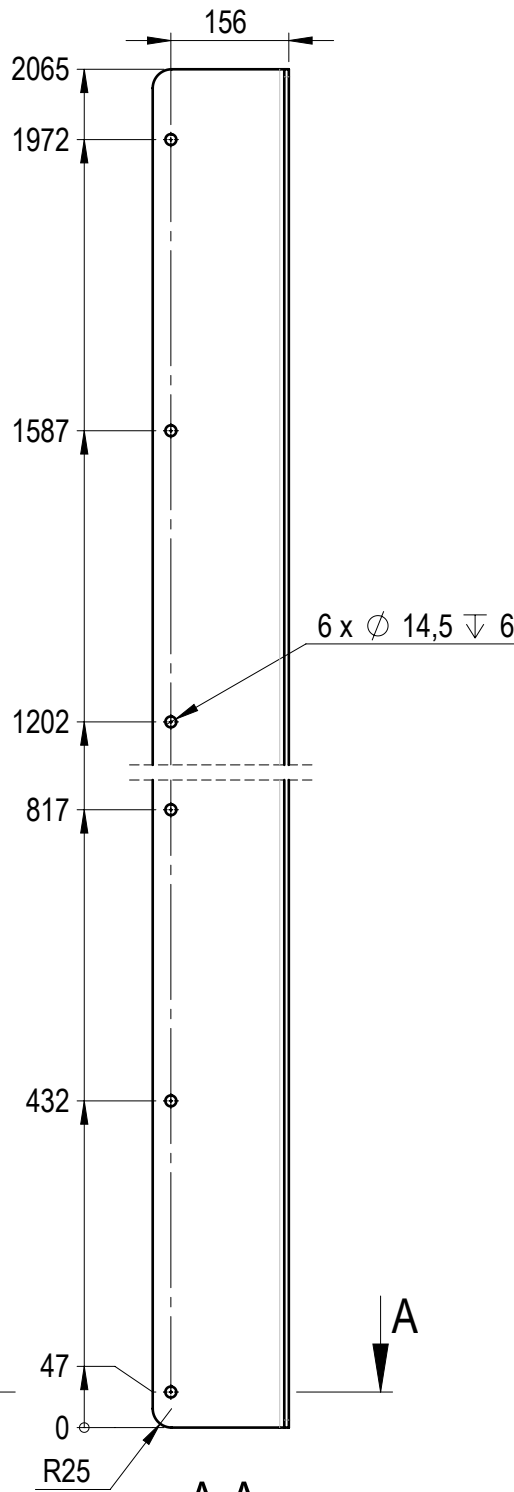
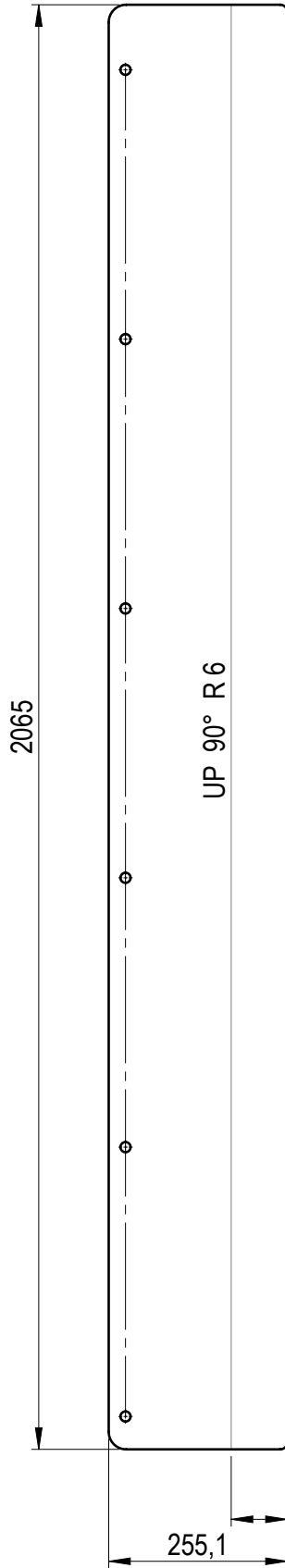
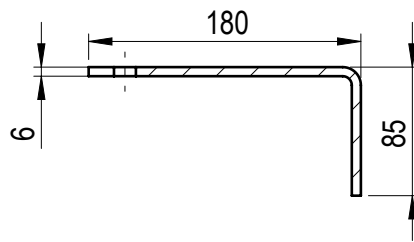


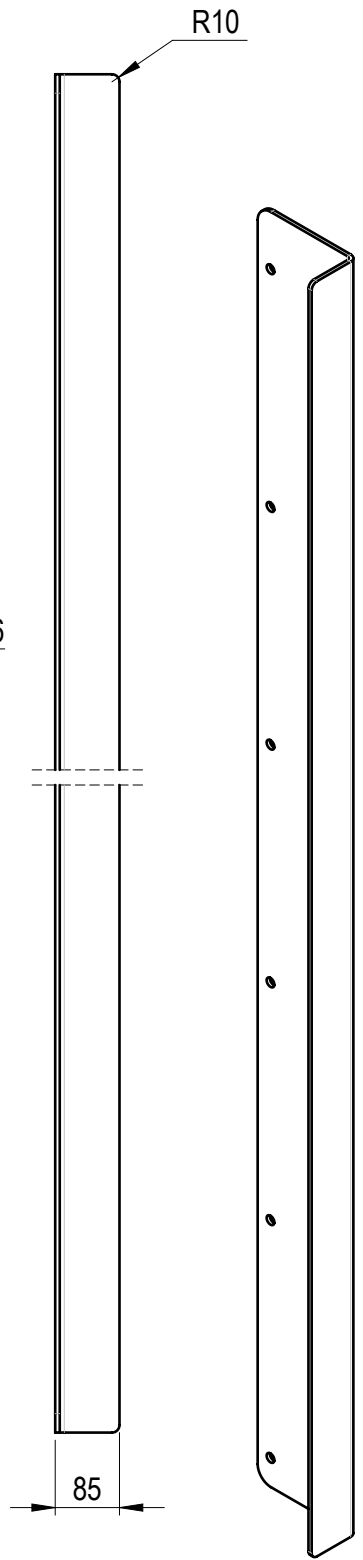
Flat Pattern view  
SCALE: 1:10



A-A  
SCALE: 1 : 5



Other dimensions from .DXF file.



SHEET METAL INFORMATION	
Length, mm	2065
Width, mm	255.1
Thickness, mm	6
Inside Bend Radius, mm	6
K-Factor	0.5
No. of Bends	1

	MATERIAL	S355J2	WEIGHT	24.596 Kg	DEBURR AND BREAK SHARP EDGES DO NOT SCALE DRAWING	REVISION	DATE	09.07.2025	
	SURFACE PROTECTION	HDG EN ISO 1461	MACHINING	ISO 2768 mK	THERMAL CUTTING	ISO 9013 221	WELDING	ISO 13920 BF	
NAME	SIGNATURE	PART NO. 105-30700-02							
Designed by	A. Menkins	DESCRIPTION					SCALE		1:10
Drawn by	E. Kriviss	Floor bracket 2					FORMAT		A4
Technical ref.							SHEET		1/1